

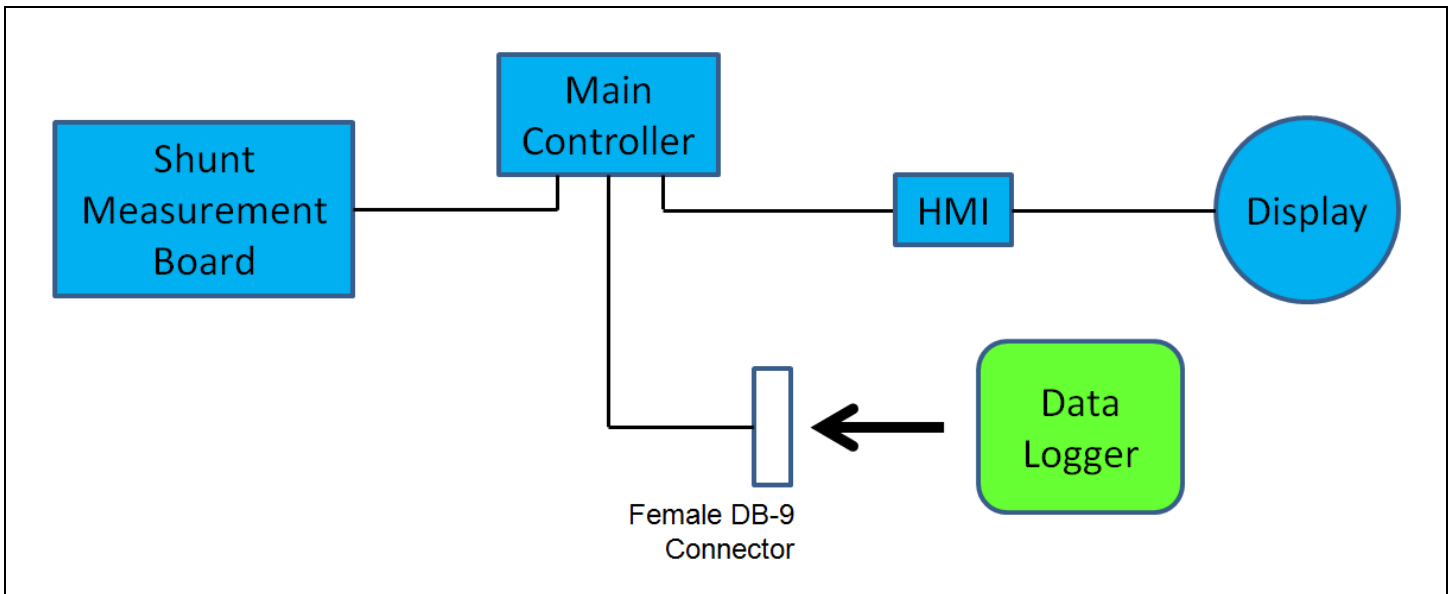
METRIC MIND CORPORATION

Serial Data Logger



A compact, portable serial data logger for Metric Mind's EVision measurement/ instrument system.

- Logs the EVision data stream to an SD card
- Stores up to one month of EVision data on a 2 GB SD card
- Quick and easy connection to EVision
 - Connects directly to the EVision main unit
 - Power and data on a single connector
- Completely unattended operation
- Small, lightweight unit
- Built-in indicator lights
- Field upgradeable firmware
- Rugged, machined aluminum case
- Convenient keychain loop



Specifications:

Operating temperature range: - 40 °C to 75°C

Power consumption: 0.3 W typical @ 7.5 VDC (1 W peak during SD card write operation)

Logging capacity:

SD card capacity	Maximum continuous logging time
1 GB	16 days
2 GB	32 days

Inputs:

RS-232 serial interface @ 19.2 kbps (male DB-9 connector)

Outputs:

Blue activity LED

Red error indication LED

Mechanical:

Dimensions: 59 x 40 x 15 mm

Weight: 50 g

Made in U.S.A.

Metric Mind Corporation, 10117 SE Sunnyside RD., Suite F1211, Clackamas, OR 97015 USA

(503) 477-6071

www.metricmind.com

sales.support@metricmind.com

2014-05