

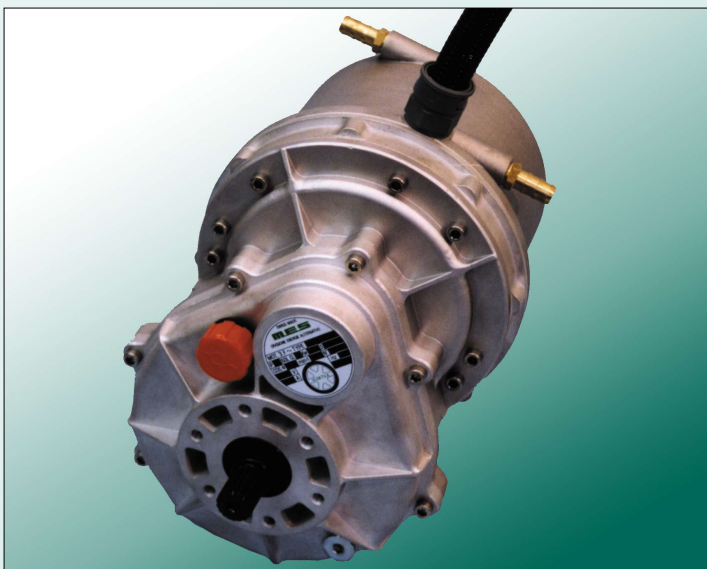
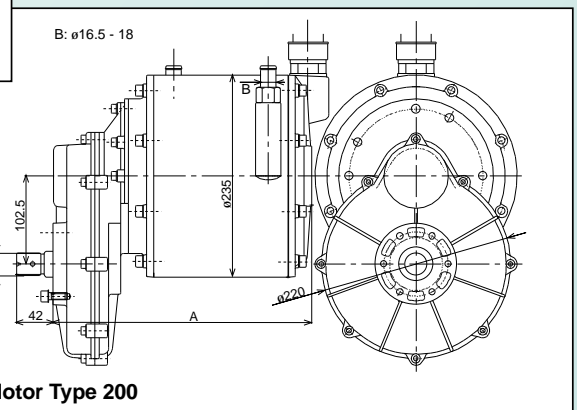
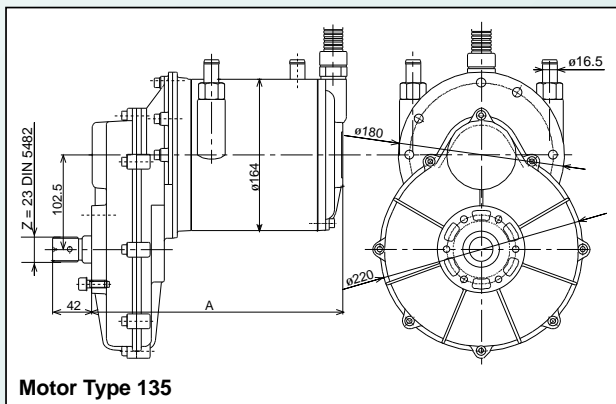
The following AC induction motors are especially designed for small electric vehicles and electric boats.

The motors are watercooled and can be supplied with reduction gear.

Technical data

		Motor type					
		135-75	135-100	135-125	135-150	200-75	200-100
Nominal power (S1)	kW	3.5	5	6.2	7.5	9	12
Nominal torque (S1)	Nm	11.5	16.5	20	25	30	40
Dimension "A"	mm	272	297	322	347	301	326
Weight *	kg	18.7	21.3	24	26.5	40.5	44.5
Nominal speed	rpm	2'850	2'850	2'850	2'850	2'850	2'850
Max. speed	rpm	12'000	12'000	12'000	12'000	9'000	9'000
Cooling		water	water	water	water	water	water
Gear ratio		10:1	10:1	10:1	10:1	10:1	10:1

* including reduction and differential gear



The information contained herewith is subject to change without notice

